



INSTRUCTIONS

VIDEO SYSTEM CENTER

VET-OR1200HD

Important information — Please Read Before Use

- ◆ Before use, thoroughly review this manual.
- ◆ Please keep all instruction manuals in a safe, accessible place.
- ◆ Have any questions or comments about this manual, contact with Aohua.

1800Endoscope.com LLC

**7322 Manatee Ave. West #265
Bradenton, FL. 34209 USA**

Call 1-800-363-6726 ++ 941 792 -7138

**Text +941-209-8276 SMS Text WhatsApp!
e-mail sales@1800Endoscope.com**

CONTENTS

IMPORTANT INFORMATION — PLEASE READ BEFORE USE	1
LABELS AND SYMBOLS	5
CHAPTER 1 CHECKING THE PACKAGE CONTENTS	7
CHAPTER 2 SUMMARY OF THE FUNCTIONS OF THE INSTRUMENT	9
2.1 FRONT PANEL	9
2.2 REAR PANEL	10
CHAPTER 3 INSTALLATION AND CONNECTION	12
3.1 INSTALLATION OF EQUIPMENT	12
CHAPTER 4 INSPECTION	14
4.1 INSPECTION OF THE POWER SUPPLY	14
4.2 INSPECTION OF THE MONITOR DISPLAY	14
4.3 INSPECTION OF THE FREEZE AND DEFREEZE FUNCTION	15
CHAPTER 5 OPERATION	16
5.1 INSPECTION	16
5.2 TURNING THE VIDEO SYSTEM CENTER ON	16
5.3 WHITE BALANCE ADJUSTMENT	17
5.4 SELECTION OF IRIS MODE	18
5.5 SHARPNESS (IMAGE ENHANCEMENT)	18
5.6 FREEZE	19
5.7 TURNING THE VIDEO SYSTEM CENTER OFF	20
CHAPTER 6 FUSE REPLACEMENT	21
6.1 REPLACEMENT OF THE FUSE	21
CHAPTER 7 CARE, STORAGE AND DISPOSAL	22
7.1 CARE	22
7.2 STORAGE	22
7.3 DISPOSAL	22
CHAPTER 8 TROUBLESHOOTING	23
8.1 TROUBLESHOOTING GUIDE	23
8.2 RETURNING THE VIDEO SYSTEM CENTER FOR REPAIR	24
CHAPTER 9 SERVICE	25
WARRANTY CARD OF PRODUCT	26

Important Information — Please Read Before Use

Intended use

This video system center has been designed to be used with Aohua veterinary endoscopes, and other ancillary equipment for endoscope diagnosis, treatment and video observation. Do not use this video system center for any purpose other than its intended use.

User qualifications

The operator of this instrument must be a trained and qualified veterinarian.

Repair and modification

This video system center does not contain any user-serviceable parts. Do not disassemble, modify or attempt to repair it; animal or operator injury, equipment damage and/or the failure to obtain the expected functionality can result. This instrument should be repaired by Aohua authorized personnel only.

Signal words

The following signal words are used throughout this manual:

Warning

It indicates a potentially hazardous situation, if not be avoided, could result in death or serious injury.

Caution

It indicates a potentially hazardous situation, if not be avoided, may result in minor or moderate injury. It may also be used to alert against unsafe practices or potential equipment damage.

Note

It indicates additional helpful information.

Dangers, warnings and cautions

Follow the dangers, warnings and cautions below when handling this video system center.

Danger:

- ◆ As a TYPE BF applied part, the endoscope connected to the video system center must never be applied directly to the heart of animal. Leakage current from the TYPE BF applied part may be dangerous and cause ventricular fibrillation or seriously affect the cardiac function of the animal. Always adhere to the following points.
- ◆ Never apply the endoscope connected to this video system center to the heart or any area near the heart.
- ◆ Never allow an endo-therapy accessory or another endoscope applied to or near the heart to come in contact with the endoscope connected to this video system center.
- ◆ Strictly observe the following precautions. Failure to do so may place the animal and the medical personnel in danger
- ◆ When the instrument is used to examine an animal, do not allow metal parts of the endoscope or its accessories to touch metal parts of other system components.
- ◆ Keep fluids away from all electrical equipment. If fluids are spilled on or into the unit, stop operation of the video system center immediately and contact Aohua.
- ◆ Do not prepare, inspect or use this video system center with wet hands.
- ◆ Never install and operate the video system center in locations where:
 - ◆ The concentration of oxygen is high
 - ◆ Oxidizing agent (such as nitrous oxide) or flammable anesthetics are present in the atmosphere











Warning:

- ◆ The system should be established with equipment complied with relevant EMC standards for safety reason.
- ◆ Equipment which does not comply with EMC standard may cause interference and its function or performance may be affected.
- ◆ Portable or mobile phones may influence the medical electrical equipment by their emitting energy.
- ◆ Please check thoroughly to make sure there is no interference or collision between the patient and other equipment.
- ◆ The cables and accessories that do not conform to the equipment specifications shall not be used, as they may increase the electromagnetic radiation of equipment or systems and reduce the interference immunity of the equipment against electromagnetic interference.
- ◆ The equipment can not be used with life support equipment ,and the other equipment that have serious impact on the lives of patients ,or can not be used with the treatment effect of other equipment or low current measurement or treatment equipment in the same room.
- ◆ To avoid the risk of electric shock, the equipment must only be connected to a supply mains with protective earth..

Caution:

- ◆ Do not touch the electrical contacts inside the connectors of the video system center.
- ◆ Do not connect or disconnect the light guide connector while this video system center is turned ON. This action may destroy the endoscope.
- ◆ When the instrument is used with other non-medical auxiliary equipment, such as video recorder or printer, the isolated transformer or insulating socket must be used to ensure the safety.
- ◆ Do not use a sharp or hard object to press the buttons on the front panel. This may damage the buttons.
- ◆ Avoid applying excessive force to the connectors, as this may damage the instrument.

Labels and Symbols

	Category tags: BF type class I
	Ground terminal
	Mandatory for reading instructions for use
	Potential equalization terminal
	Catalogue Number
	Consult instructions for use
	Date of manufacture
	Keep away from rain
	Manufacturer
	Use-by date



Protect from heat and radioactive source



Series Number



Fragile, handle with care



Stack up



Temperature limit

Chapter 1 Checking the Package Contents

Caution:

Match all items in the package with the components shown below. Inspect each item for damage. If a component is missing or damaged, please contact 1800Endoscope.com LLC

Package Contents

VET-OR1200HD Video System Center	1 pc
Monitor cable (DVI)	1 pc
S-video cable (Y/C)	1pc
Power cord	1 pc
Fuse (2.5A)	5 pcs
Connector cable (USB)	1pc
White balance cap	1pc
Blank disc & case	1pc
Instruction manual	1 pc

Appendix

The recommended combinations of equipment and accessories

Endoscope: veterinary endoscopes.

Operating environment

Operating environment	Ambient temperature	5 °C to +40 °C
	Relative humidity	30% to 80%
	Atmospheric pressure	700hPa - 1060hPa

Specifications

Item	Specification	
Power supply	Voltage	~220V
	Frequency	50Hz
	Consumption electric power	250 VA
	Fuse rating	2.5 A, 250 V
Size	Length	360mm
	Width	300mm
	Height	160mm
Airflow volume	$\geq 7L/min$	
Air pressure of the pump	40-90Kpa	
illumination	Luminous flux	200lm
	Color temperature	3000K~7000K

Chapter 2 Summary of the functions of the instrument

2.1 Front panel

1. Video endoscope cable connector socket

The video endoscope cable is used to connect video endoscope and video system center.

2. IRIS

This button is pressed to select IRIS (Automatic Light Control) in average mode or peak mode.

3. ENH

This button is pressed to enhance the image.

4. Video On

Press the "Video" button to turn ON or OFF the CCD power source.

5. Air pump

This button is pressed to turn ON or OFF the pump.

6. Light On

This button is pressed to turn ON or OFF the light.

7. Power on

Press the power switch to turn the video system center ON. When power is ON, the power indicator above the power switch is lit. To turn the video system center OFF, press the power switch once again.

8. AGC

This button is used to increase the brightness of an endoscopic image electrically, when the brightness of the image is dark because the distance between the endoscope's distal end and the object is too long.

9. Back

This button is pressed to review frozen image.

10. Freeze

This button is pressed to freeze the image.

11. W.B

This button is pressed to set the white balance.

12. HBE

This button is pressed to perform image processing to strengthen the display of vascular tissue.

13. RECORD

This button is pressed to record the video.

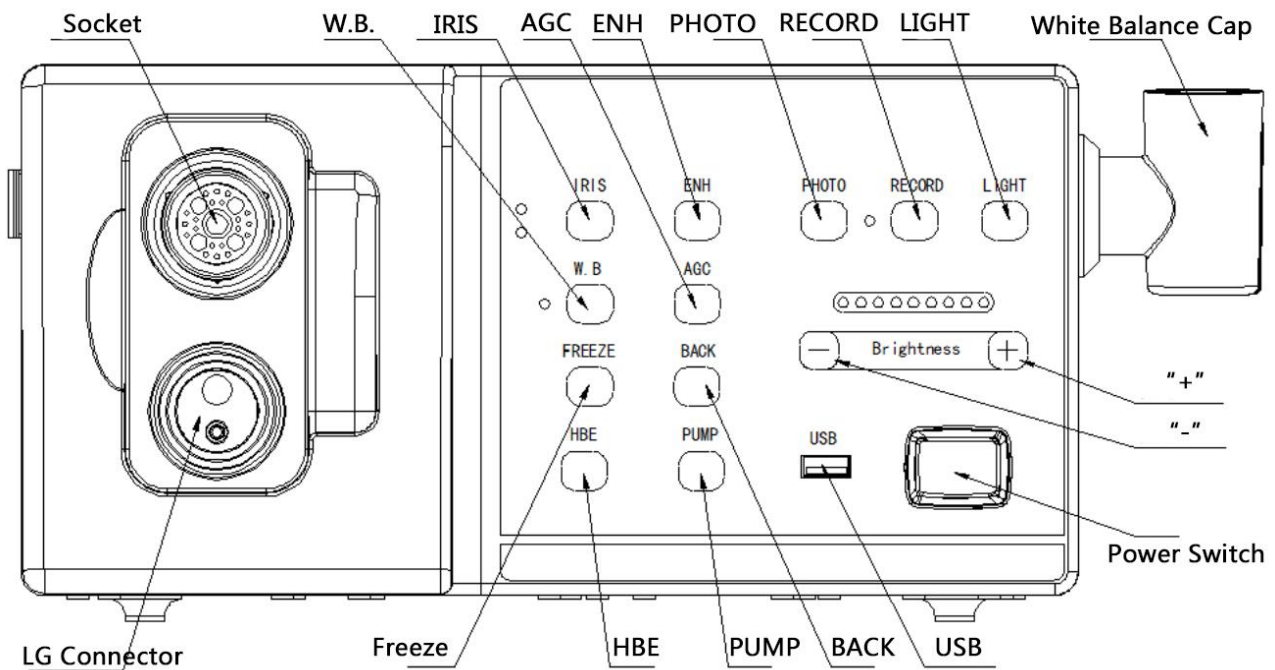


Figure 2.1

2.2 Rear panel

1. AC mains inlet, EMC filter and housing with cartridge fuses

The AC mains inlet is the receptacle for the power cord. The EMC filter is used to filter the noise of AC power. The fuses protect the video system center from electrical over current.

2. Fuse

For safety purpose, this terminal is connected to fuse.

3. Y/C output

The Y/C video signal is output via this terminal. This connector is connecting to monitor.

4. DVI output

The digital signal is output via this terminal. This connector is connecting to monitor.

5. USB signal output

This connector is connecting to the laptop.

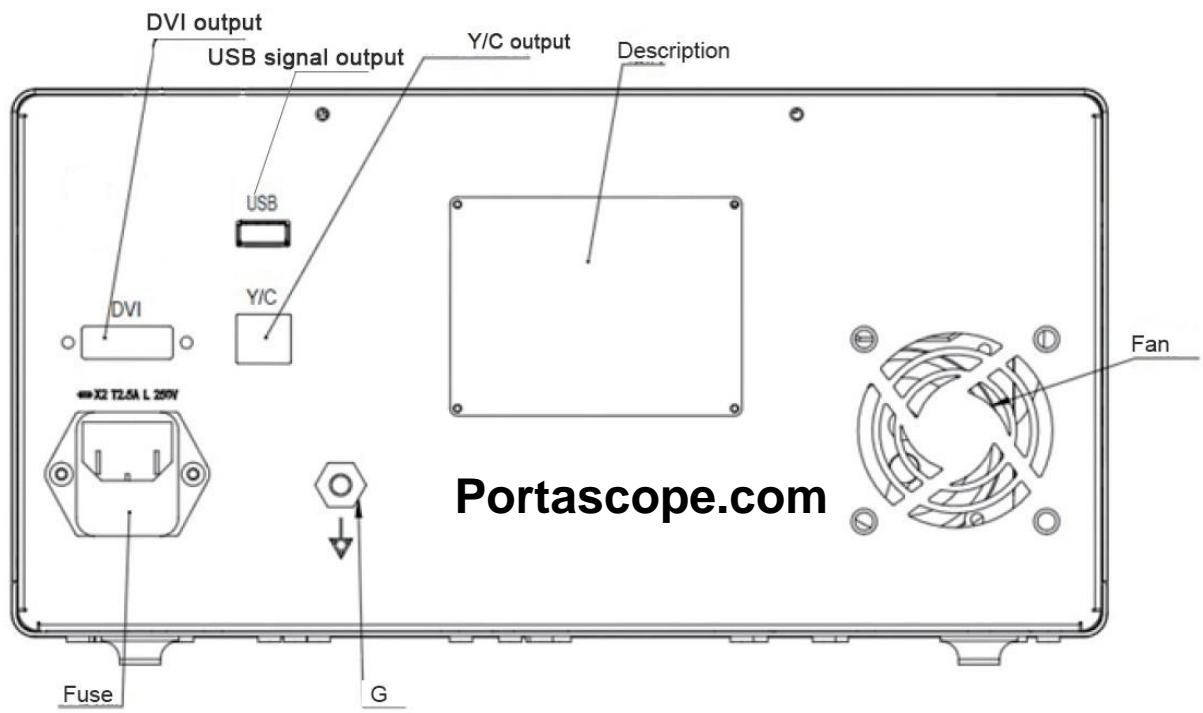


Figure 2.2

Chapter 3 Installation and Connection

Caution:

- ◆ Turn OFF all system components before connecting them. Use appropriate cables only. Otherwise, equipment damage or malfunction can result.
- ◆ When non-medical electrical ancillary equipment is used, connect its power cord via an isolation transformer prior to connecting it to this video system center. Failure to do so can cause electric shock, burns and/or fire.
- ◆ Use the video system center under the conditions described in the “Operating and storage environments” and the “Specifications” in the Appendix only. Otherwise, malfunction, compromised safety and/or equipment damage may result.
- ◆ The cable should not be sharply bent, pulled, twisted or crushed.
- ◆ Do refer to the instruction manuals and install the equipment as follows:

3.1 Installation of equipment

Caution:

- ◆ The trolley needs to be supplied by the operator.
 - ◆ Do not place any equipment on the top of the video system center. Otherwise, equipment damage may result.
 - ◆ Keep the air inlet of the video system center clean. Clean the air inlet, when it is covered with dust, blockage can cause overheating and equipment damage.
 - ◆ Do not install the video system center near a source of strong electro-magnetic radiation (microwave treatment equipment, short-wave treatment equipment, MRI, etc.). Otherwise, the video system center may be malfunction.
1. Place the mobile workstation on a level surface. Lock the caster brakes as shown in Figure 3.1.

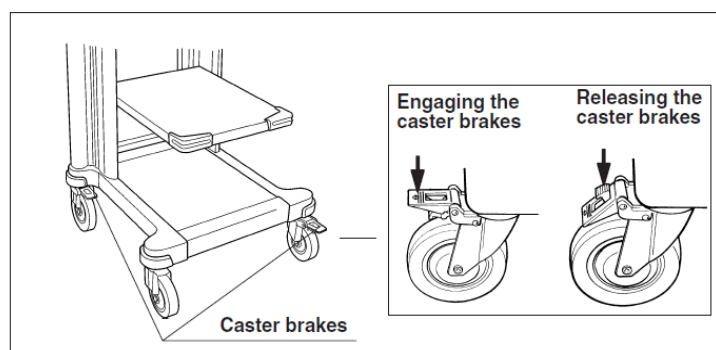


Figure 3.1

2. Place the VET-OR1200HD on the trolley.
3. Connect communication terminal on the video system center with the DVI cable to monitor.
4. Connect USB terminal on the video system center to PC.
5. Insert the light guide connector into the scope socket on the front panel of the light source until it clicks into place (see Figure 3.2).

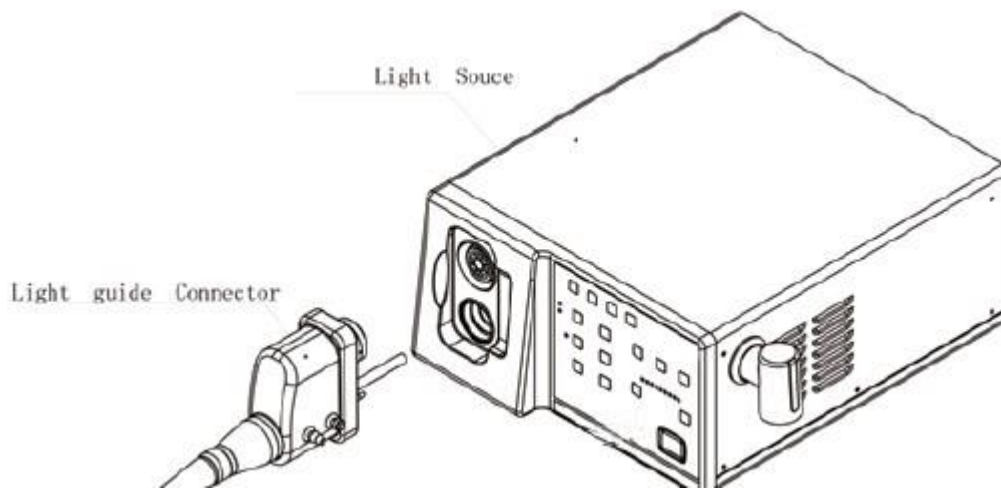


Figure 3.2

Caution:

- ◆ Before connecting the light guide connector to the video system center, make sure that it is completely dry. Otherwise, electric shock or equipment damage may result.
- 6. Confirm that the light source is OFF.
- 7. Connect the power cord to the AC mains inlet and to a wall mains outlet.

Danger:

- ◆ Connect the power plug of the power cord directly to a grounded wall mains outlet. It can cause an electric shock and/or fire, if the video system center is not grounded properly.

Warning:

- ◆ Do not allow the power cord to become wet. Otherwise, it may cause electric shock.
- ◆ Add force/torque control on fasten the connector.
- ◆ Do not bend, pull or twist the power cord. Electric shock, equipment damage or fire can result.
- ◆ Make sure the electrical capacity of the power source is sufficient. Otherwise, malfunction of equipment can also result.
- ◆ User must provide a stable power supply. Strong fluctuations in power supply must be regulated with power regulator or a UPS power.

Chapter 4 Inspection

Warning:

- ◆ Before each case, inspect this video system center as instructed below.
- ◆ If any malfunction be suspected, do not use the instrument and check with Chapter 9, “Troubleshooting”.
- ◆ If the malfunction is still suspected after consulting “Troubleshooting”, contact Aohua. Using a defective video system center may compromise animal or user safety and may result in more severe equipment damage.

4.1 Inspection of the power supply

1. Confirm that the light guide connector is connected to the scope socket of the video system center.
2. Confirm that the power indicator is lit.
3. Press the power switch to turn the video system center ON.
4. Confirm that the indicator on the front panel is ON.

◆ If the power fails to come on

If the power fails to come on, turn the video system center OFF and inspect the system as follows:

1. Confirm the power cord is connected securely to the wall mains outlet and to the AC mains inlet on the video system center.

Warning:

- ◆ Turn off both the power switch, and remove the power cord from the wall mains outlet before replacing the fuses. Otherwise, electric shock may result.
- 2. Turn the video system center OFF and disconnect the power cord from the wall mains outlet.
- 3. Change the fuses refer to “Fuse Replacement”.
- 4. If the power fails to come on after replacing the fuses with new ones, contact Aohua.

4.2 Inspection of the monitor display

5 seconds after the power switch is set ON, the image and settings will be displayed at the bottom of the monitor screen. If the power fails to come on after replacing the fuses, contact Aohua.

4.3 Inspection of the freeze and defreeze function

1. Press the “Freeze” button on the handle of the endoscope.
2. Confirm that the real-time endoscopic image is frozen on monitor.
3. Press the “freeze” button again, and confirm that the real-time image reappears.

Warning:

◆ If the image fails to freeze or defreeze, press the power switch to turn OFF the video system center, wait for 5 seconds, and then press the power switch to turn ON the video system center again. If this action still cannot resolve the problem, contact Aohua.

Chapter 5 Operation

The operator of this video system center must be a veterinarian who has received sufficient training in clinical endoscopic technique. This manual, only describes basic operation and precautions related to the operation of this video system center.

Warning:

- ◆ Anytime you suspect an abnormality in any function, stop the examination immediately. Take action according to the procedures described below. Using a defective video system center may cause injury.
- ◇ If the endoscopic image disappears or if the image freezes cannot be restored, turn the video system center OFF and wait for about 10 seconds. Then turn it back ON again.
- ◇ If any other abnormality occurs or is suspected, stop using the equipment immediately and withdraw the endoscope from the animal slowly following the instructions given in the endoscope's instruction manual. Then refer to "Troubleshooting" and take the described remedial action. If the problem cannot be resolved, contact Aohua.
- ◆ Do not leave the examination light illuminated from the endoscope before and/or after examination. Otherwise, it will cause the distal end of the endoscope to become overheated and could cause operator and/or animal burns.
- ◆ Don't use the video system center in a location exposed to strong electromagnetic radiations direct may cause malfunction. (For example, microwave treatment device, short wave treatment device, MRI or radio equipment electromagnetic radiation).

5.1 Inspection

1. Confirm that the power cord is connected securely to the wall mains outlet and to the AC mains inlet on the video system center.
2. Confirm that the monitor cable is connected securely to the video system center and the monitor.
3. Keep the air inlet of the video system center clean.

5.2 Turning the video system center on

1. Confirm that the power switch of the video system center is OFF
2. Confirm that the light guide connector is connected to the scope socket of the video system center. (as shown in Figure 5.1)

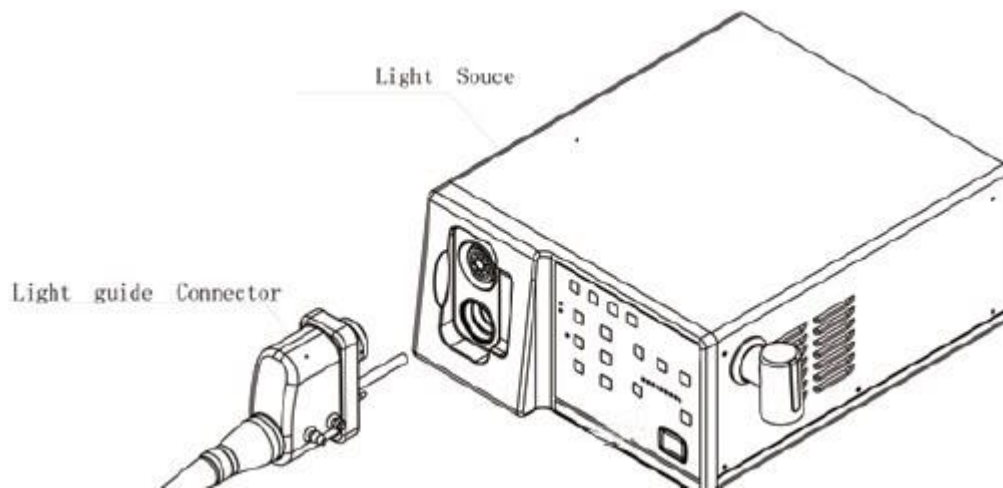


Figure 5.1

5.3 White balance adjustment

The white balance adjustment is required to reproduce colors in their original tones.

Warning:

- ◆ Be sure to adjust the white balance every time after the endoscope is changed, to ensure that accurate color reproduction is obtained.
- ◆ Always control the image according to the purpose of observation. Setting an inappropriate color tone or color enhancement condition may result in overlooking or wrong diagnosis.

1. Confirm that the endoscope is connected to the video system center.
2. Confirm that the video system center ON.
3. Insert the distal end of the endoscope into the white cap as shown in Figure 5.2. Hold the white cap and endoscope steady to avoid washing out of the monitor image.

White cap

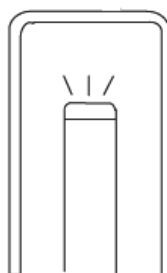


Figure 5.2

4. Press and hold the white balance button on the front panel for about one second (see Figure 5.3). The OSD will indicate the finish of the adjustment.

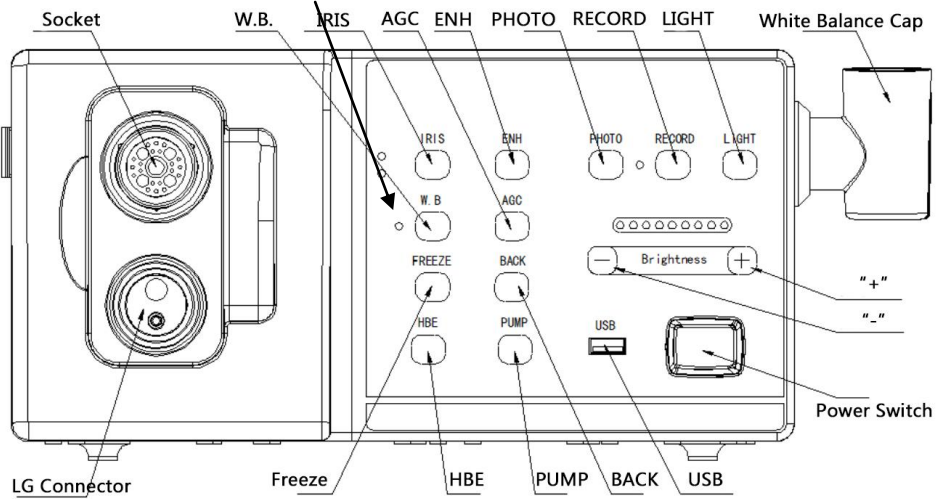


Figure 5.3

5.4 Selection of IRIS mode

The IRIS mode of the video system center can be switched between “average” and “peak” IRIS mode by the IRIS mode button.

Press the IRIS mode button on the front panel can switch the IRIS mode between “peak” and “average”. The IRIS indicator will indicate the present statue of the IRIS mode (see Figure 5.4).

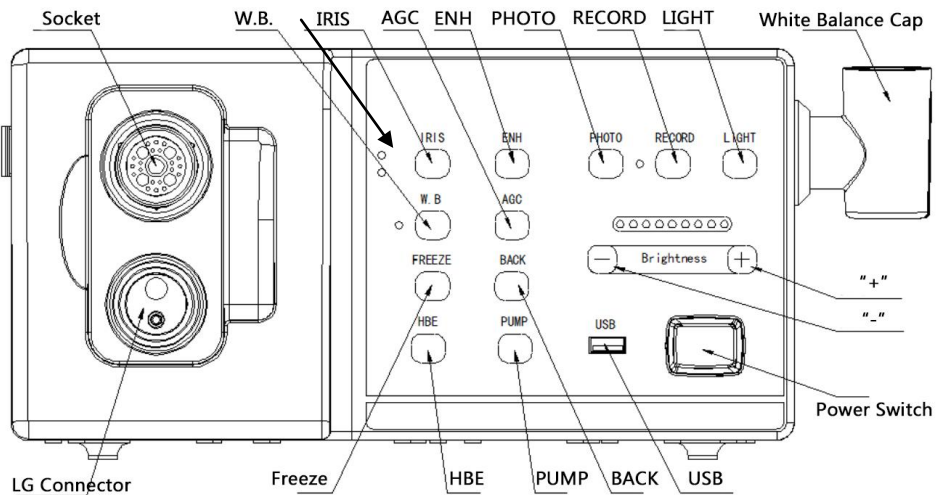


Figure 5.4

5.5 Sharpness (Image enhancement)

The instrument can provide image in Edge enhancement. Edge enhancement is an image processing technique that electronically sharpens the edges of an image.

1. Press of button “ENH” is to select the level of sharpness.
2. The OSD on the monitor indicates the present statue.

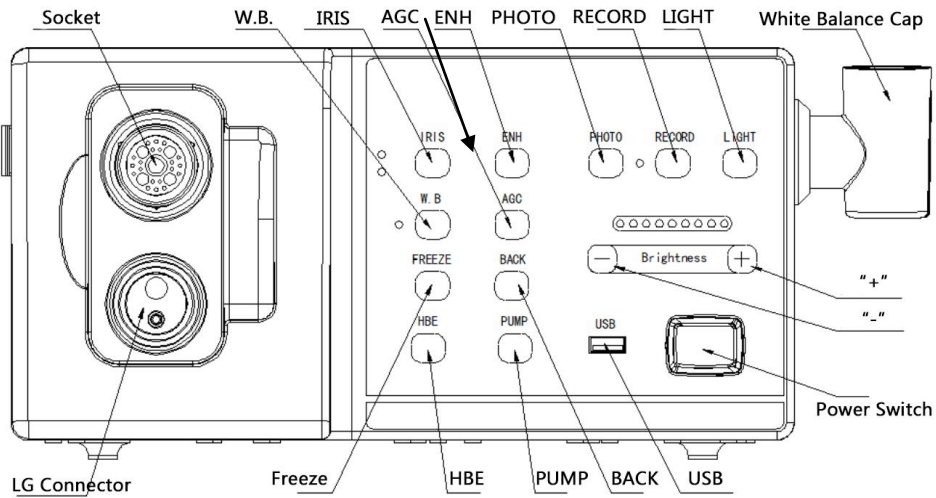


Figure 5.5

5.6 Freeze

The endoscopic image can be frozen for closer inspection.

Warning:

- ◆ If the image fails to freeze or defreeze, press the power switch to turn OFF the video system center, wait for 5 seconds, and then press the power switch to turn ON the video system center again.
- ◆ If this fails to correct the problem, immediately stop using the equipment and remove the endoscope from the animal as directed in the endoscope’s instruction manual.

1. Press the “freeze” on the handle of the endoscope (see Figure 5.5) or short press “Freeze” button on the front panel. (See Figure 5.6).

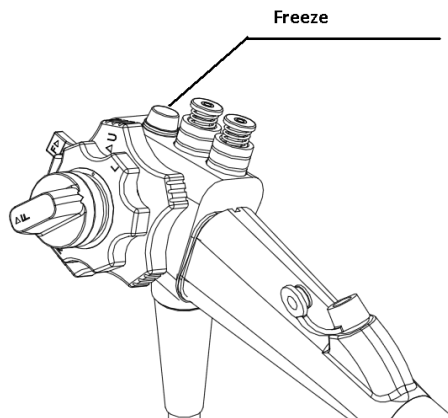


Figure 5.5

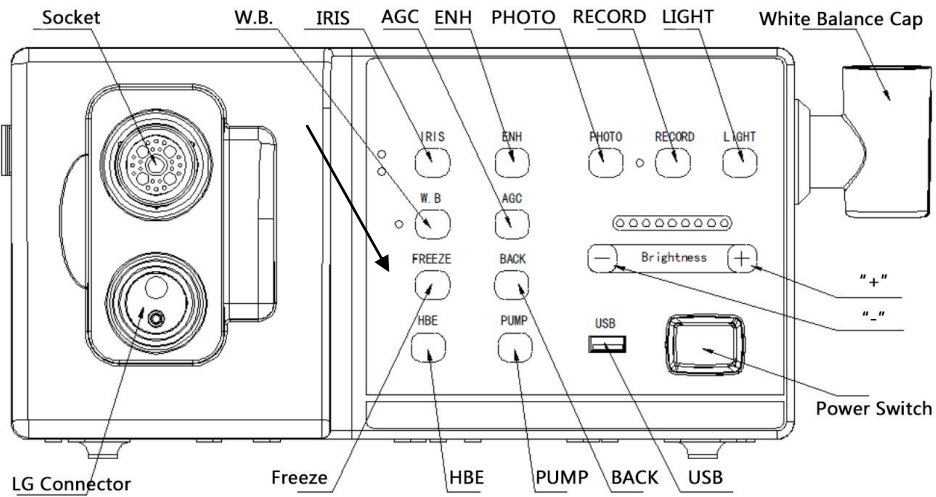


Figure 5.6

2. Press the “back” button on the front panel to view the frozen image on the screen frame by frame.
3. Press the “freeze” button on the handle or press both the “back” button on the front panel again to restore the real-time image.

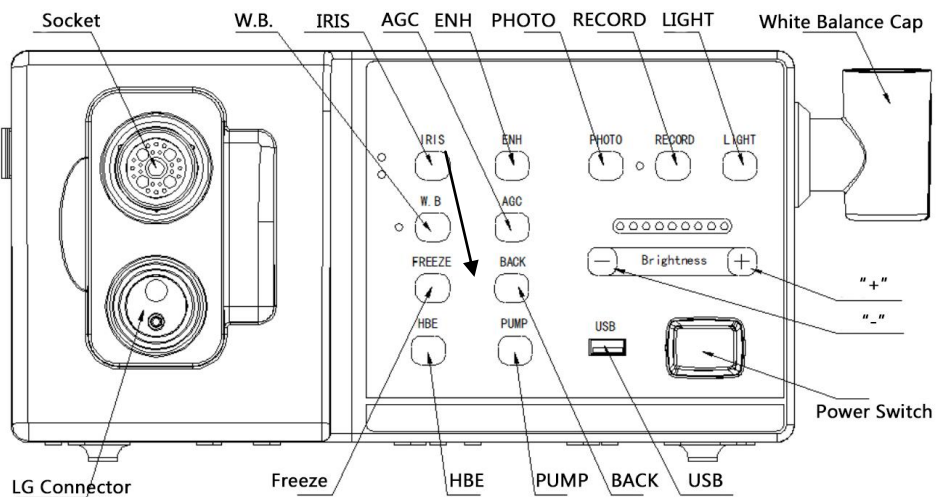


Figure 5.7

5.7 Turning the video system center OFF

1. Press the “Video” button to turn OFF the CCD power, then pressing the pump switch to turn OFF the pump and power switch to turn the video system center OFF.
2. If the video system center is not to be used for an extended period of time and disconnect the power cord.

Chapter 6 Fuse Replacement

6.1 Replacement of the fuse

Warning:

◆ Turn the video system center OFF and remove the power cord from the wall mains outlet before replacing the fuses. Otherwise, electric shock may result.

◆ Only use the fuses listed in the manual. Otherwise, malfunction or failure of the video system center may occur and could lead to fire or electric shock.

1. Turn OFF the power switch to turn the light source OFF, and disconnect the power cord from the wall mains outlet.
2. Rotate the fuse box straight out and replace the fuses (see Figure 6.1).

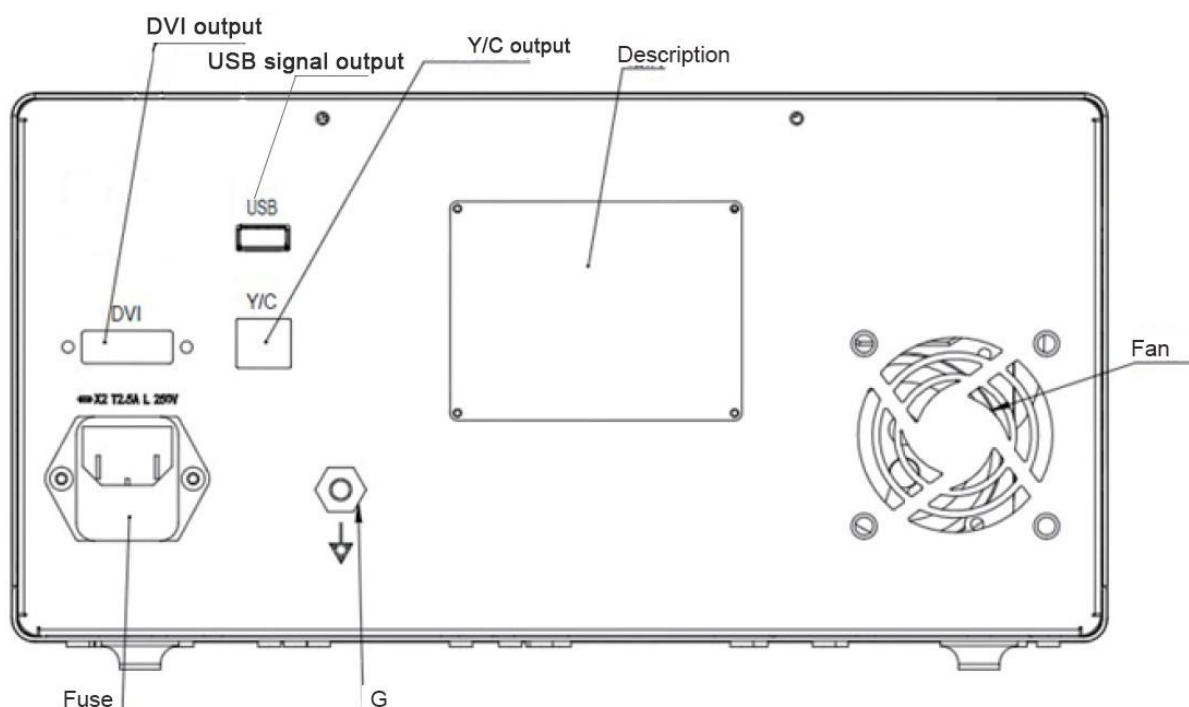


Figure 6.1

3. Counter rotate the fuse box into the video system center.
4. Plug the power cord, press the power switch and confirm that the power indicator is lit.

Warning:

◆ If the power fails to come on after replacing the fuses with new ones, immediately turn the video system center OFF, remove the power cord from the wall mains outlet and contact Aohua.

Chapter 7 Care, Storage and Disposal

7.1 Care

Warning:

- ◆ Do not spill water into the machine. If the liquid spilled into the machine, be sure to dry it immediately and to ensure there is no water before operation.
- ◆ Connect the power plug of the power cord directly to a grounded wall mains outlet. It can cause an electric shock and/or fire, if the video system center is not grounded properly and the purchaser should take full responsibility for the accident.
- ◆ When the video system center is working, all vents of the machine must not be blocked to let air flow smoothly.
- ◆ Do not clean the video endoscope cable socket, other connectors or the AC mains inlet. Cleaning them can causing damage to the video system center.
- ◆ After wiping with a piece of moistened gauze, dry the video system center thoroughly before using it again. If it is used while still wet, there is the risk of an electric shock.
- ◆ If the product has quality problems, please contact Aohua. The company has no responsibility to the problems caused by disassemble the instrument by user.

The video system center should be cleaned following cleaning procedure immediately after use and routinely.

1. Turn the video system center OFF and disconnect the power cord.
2. To remove dust, dirt and non-animal debris, wipe the video system center using a soft cloth moistened with 70% ethyl or isopropyl alcohol.
3. Make sure that the video system center is completely dry before use.

7.2 Storage

Store the equipment according to the **Appendix**, "*Transportation and storage environment*".

1. Turn the video system center OFF and disconnect the power cord.
2. Disconnect all ancillary equipment connected to the video system center.
3. Store the equipment at room temperature in the horizontal position in a clean, dry and stable location.

7.3 Disposal

Disposing the equipment should follow the national and local laws and guidelines.

Chapter 8 Troubleshooting

If the video system center is visibly damaged, does not function as expected or is found to have irregularities during the inspection, do not use the video system center. Contact Aohua.

Some problems that appear to be malfunctions may be corrected by referring to Section 8.1, “Troubleshooting guide”. If the problem cannot be resolved by the following action, stop using the video system center and send it to Aohua for repair.

Warning:

- ◆ Never use the video system center if an abnormality is suspected. The animal or the operator can be fatally or seriously injured.

8.1 Troubleshooting guide

The following table shows the possible causes of abnormalities. Failures and abnormalities other than those listed in the following table need repair.

As servicing by a person other than Aohua-qualified personnel may result in accidents, be sure to have the video system center serviced following the instructions given in Section 8.2, “Returning the video system center/light source for repair”.

Warning:

- ◆ If an abnormality is suspected, turn the video system center OFF once and turn it ON again. If the abnormality cannot be solved, turn the video system center OFF and disconnect the power cord to stop the flow of electricity completely.

Irregularity description	Possible cause	Solution
The endoscope cannot connect to the video system center.	The endoscope is not compatible with this video system.	Connect a correct endoscope.
The power fails to be ON.	The power cord is not connected.	Connect to a hospital-grade power outlet as described.
	The power switch is not turned ON.	Turn the power switch ON.
	A fuse has blown.	Replace both fuses.
The endoscopic image does not appear on the monitor.	The monitor mode is not set correctly.	Set them correctly by referring to the monitor’s instruction manual.
	The endoscope is not connected.	Connect an endoscope as described in its instruction manual.

Irregularity description	Possible cause	Solution
	The monitor cable is not connected.	Connect a monitor cable as described.
	The video endoscope cable is not connected.	Connect the video endoscope cable as described
The endoscopic image is too dark.	The IRIS mode is incorrect.	Set a correct mode.
	The monitor brightness setting is improper.	Set a proper brightness as described in the monitor's instruction manual
	The monitor contrast setting is not right.	Set a proper contrast as described in the monitor's Instruction manual
	Problems may be due to the light source.	Refer to the light source's instruction manual
The endoscopic image is too bright.	The IRIS mode is incorrect.	Set to a correct mode.
	The light source brightness level is improper.	Set a proper brightness as described in the light source's instruction manual
	The monitor contrast level is improper.	Set a proper contrast as described in the monitor's instruction manual
The color tone of the endoscopic image is unusual.	The color tone is set improperly.	Set a proper color tone.
	The white balance is incorrect.	Adjust the white balance.
	The monitor cable is connected incorrectly.	Connect the monitor cable correctly.
The endoscopic image remains frozen.	The freeze switch is still set.	Press the freeze switch to go back to real-time moving image.
The endoscopic image is drifting.	The monitor cable is connected incorrectly.	Connect the monitor cable correctly.
The endoscopic image is vibrating.	There is a strong magnetic field near the monitor.	Move the source of magnetic field away from the monitor.

8.2 Returning the video system center for repair

Warning:

- ◆ Any repairs attempted by non-Aohua authorized personnel will cause waiver of warranty.

Chapter 9 Service

Shipping

Although all Aohua products are carefully packed to minimize in-transit damage, all shipments should be carefully examined upon receipt.

1. If a product is damaged, customer must promptly document the nature and extent of the damage and contact the carrier.
2. If concealed loss or damage is discovered, customer must retain all packing materials and immediately notify the carrier, requesting an inspection. This is essential and must be done within seven (7) days of delivery.
3. If shipments are received short, customer must contact the carrier and Aohua's authorized service center/department at once.

Aohua reserves the right to make partial shipments on any Order. Invoice(s) for partial shipments are payable upon receipt.

Return Policy

A return merchandise authorization, in the form of a Sales Order or a Return Delivery must be obtained from Aohua's Customer Service Department prior to returning any products. When phoning or writing for such a return merchandise authorization, the Customer Service Representative must be provided with:

- (1) Customer name and number, as it appears on the invoice
- (2) The telephone number and the person to contact
- (3) The applicable P.O. number
- (4) The Aohua catalog number and, if applicable, the serial number for each product; and,
- (5) The reason for the return

Aohua reserves the right to refuse or return (collect) any products sent back to Aohua without prior authorization of its Customer Service Department. Returns must be shipped pre-paid to Aohua. ATTN: SO charges will be reimbursed if the return was due to an error on the part of .1800Endoscope.com LLC .

revision Date: April, 2018

Warranty Card of Product

User's Information

User's Name			
Address		Postal Code	
Product Name:	Product No.:		
Purchase Place:	Purchase Date:		
Invoice No.:	Telephone:		

The warranty card must be sent to our company within one month after purchase of this product.

Warranty measure: Customer should hold the invoice (or copy) of the product and contact the maintenance center of our company. Customer should send back the warranty card of product to our company within one month after purchase of this product.

Warranty conditions: Within one year after purchase, our company is responsible for repairing any quality faults of this product free of charge.

The following cases are beyond the warranty scope:

1. Any damage that is caused by the improper use of the user.
2. Any damage which occurs as a result of repairs attempted by non-Aohua personnel.

1800Endoscope.com LLC

7322 Manatee Ave. West #265
Bradenton, FL. 34209 USA

Call 1-800-363-6726 ++ 941 792 -7138

Text +941-209-8276 SMS Text WhatsApp!
e-mail sales@1800Endoscope.com